

4

3

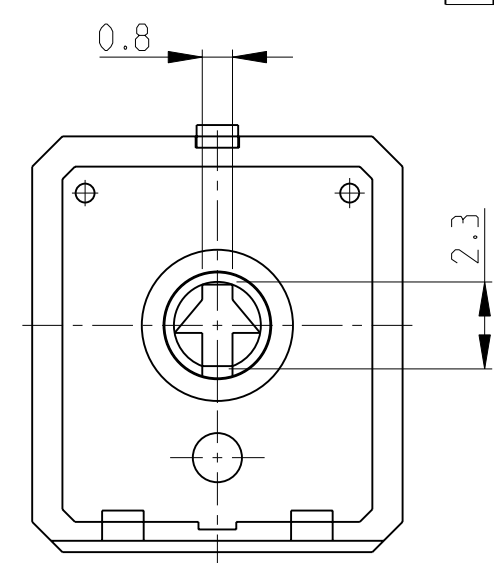
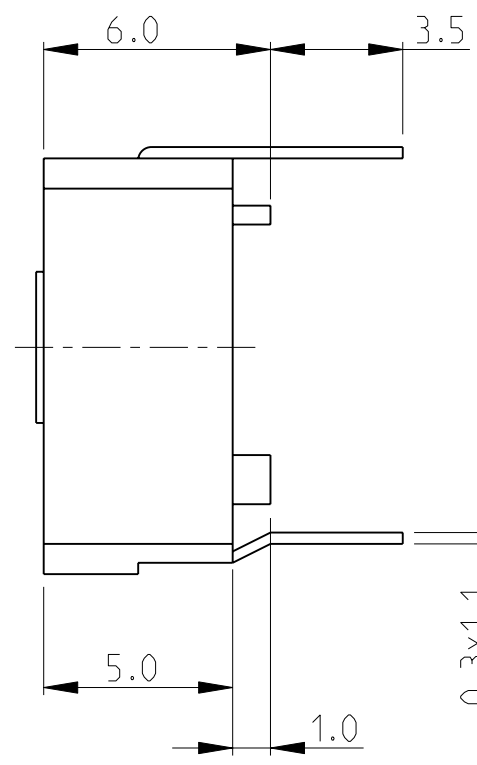
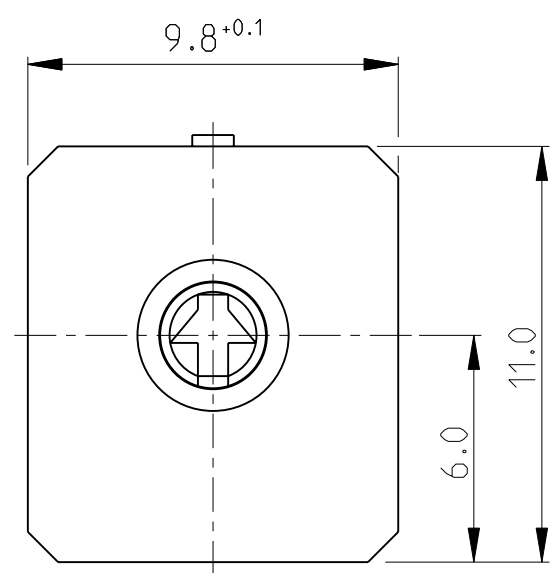
2

1

THIS DRAWING IS UNPUBLISHED. RELEASED FOR PUBLICATION 2008
 © COPYRIGHT 2008 BY - ALL RIGHTS RESERVED.

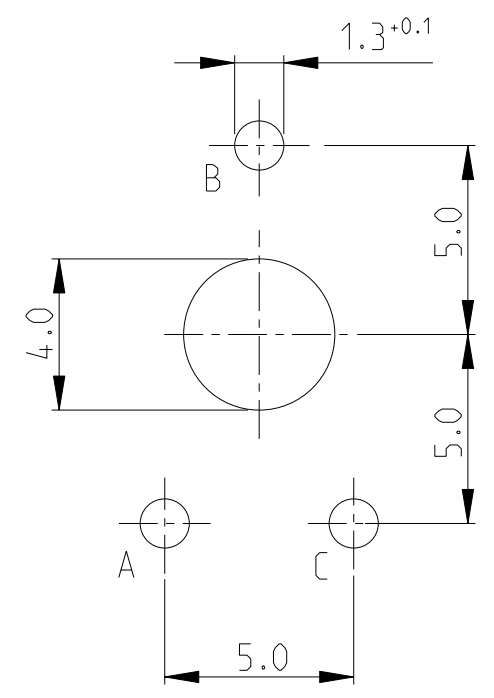
LOC	DIST	REVISIONS			
P	LTR	DESCRIPTION	DATE	DWN	APVD
E	B	BA1	REVISED PER ECO-11-005150	28MAR2011	RK HMR

CB10LV AS SHOWN

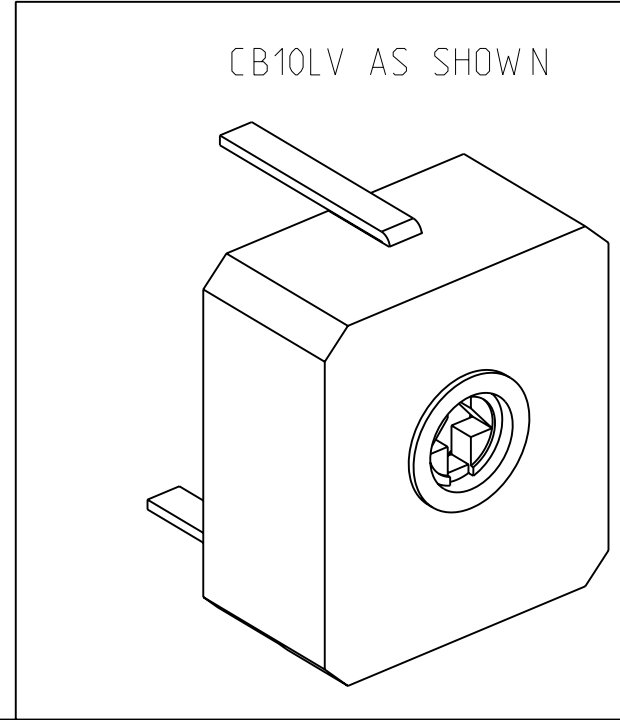


FOR FURTHER INFORMATION SEE DATA SHEET FOR CB10 SERIES-CARBON ECONOMY TRIMMERS

RECOMMENDED PCB PATTERN



RoHS Compliant



THIS DRAWING IS A CONTROLLED DOCUMENT.		DWN	SUBHASH.M	17-SEP-08
DIMENSIONS: mm		CHK	PRAKASH.S	17-SEP-08
TOLERANCES UNLESS OTHERWISE SPECIFIED:		APVD	STEPHEN.P	17-SEP-08
0 PLC ±0.5		PRODUCT SPEC	-	
1 PLC ±0.2		APPLICATION SPEC	-	
2 PLC ±0.1		WEIGHT	-	
3 PLC ±		CUSTOMER DRAWING	-	
4 PLC ±		SCALE	5:1	
ANGLES ±5°		SHEET	1 OF 1	
FINISH -		REV	BA1	

TE Connectivity			
NAME			
CARBON ECONOMY TRIMMERS			
SERIES CB10 LV			
SIZE	CAGE CODE	DRAWING NO	RESTRICTED TO
A3	00779	1630480	-